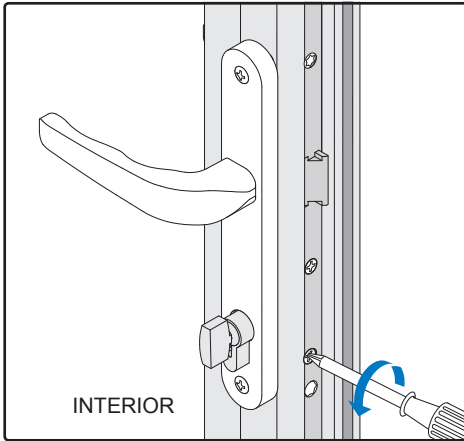
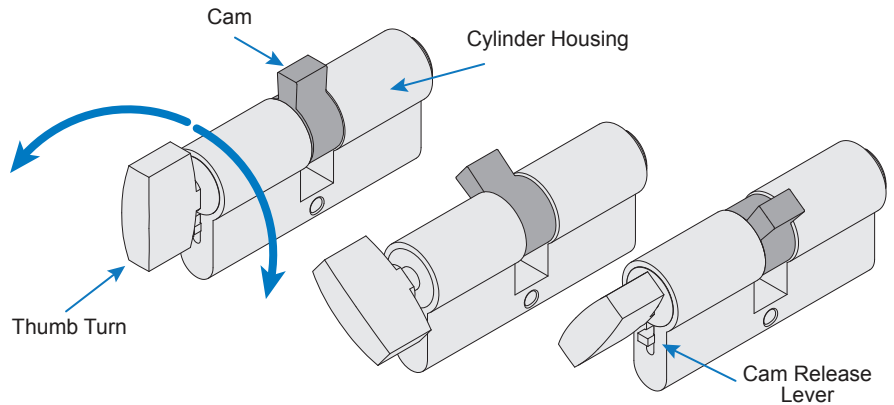


Lock Cylinder Removal

- ① Remove Cylinder Retaining Screw from edge of door.

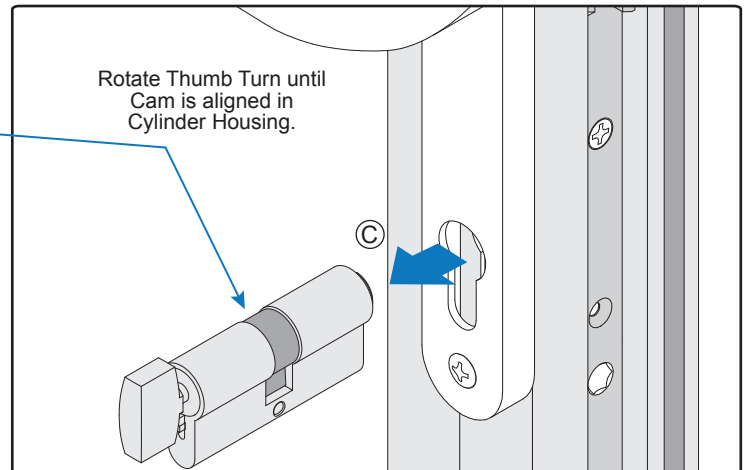
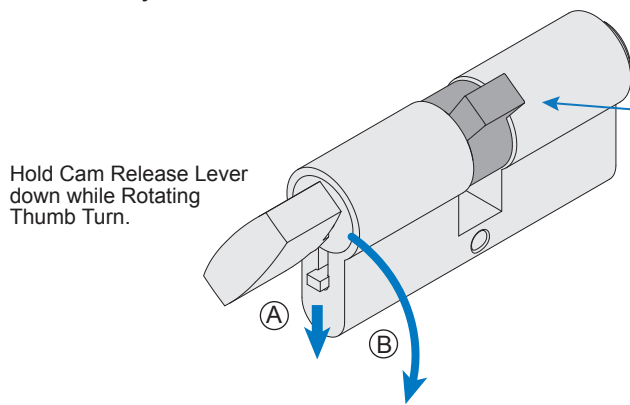


- ② Turn Thumb Turn left or right to expose Cam Release Lever.



NOTE: Lock Cylinder shown without door for clarity.

- ③ Push Cam Release Lever down and rotate Thumb Turn until Cam is aligned in cylinder housing. Pull Cylinder out of Lock Mechanism.



Lock Cylinder Installation

Push Cam Release Lever down and rotate Thumb Turn until Cam is concealed in cylinder housing. Slide into Lock Mechanism and secure with Retaining Screw. Rotate Thumb Turn or use key to lock and unlock door.

